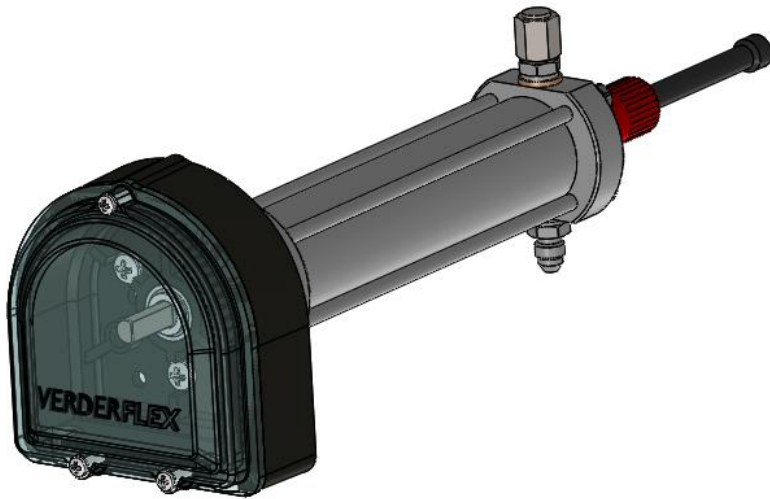


DragonROV

Intelligent Subsea Equipment



An electric dosing system using a peristaltic pump driven by a brushless dc motor/gearbox assembly specifically matched to the pump drive speed requirement. Motor speed/pumping rate controlled by serial command.

Electric Peristaltic Dosing Pump

MAIN FEATURES

- No fluid contamination
- Controlled pumping rate
- Pump speed electrically controlled over serial RS232 data link.
- Reliable long-term operation
- Maintenance free

Further Information

Spares kits also available

Equipment supplied

Standard tool supply includes

- Dosing pump assembly
- Operating Manual



info@DragonROV.com